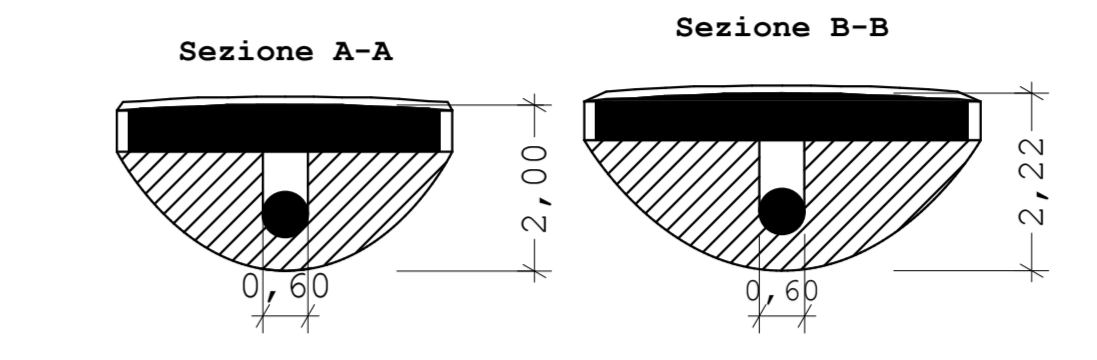
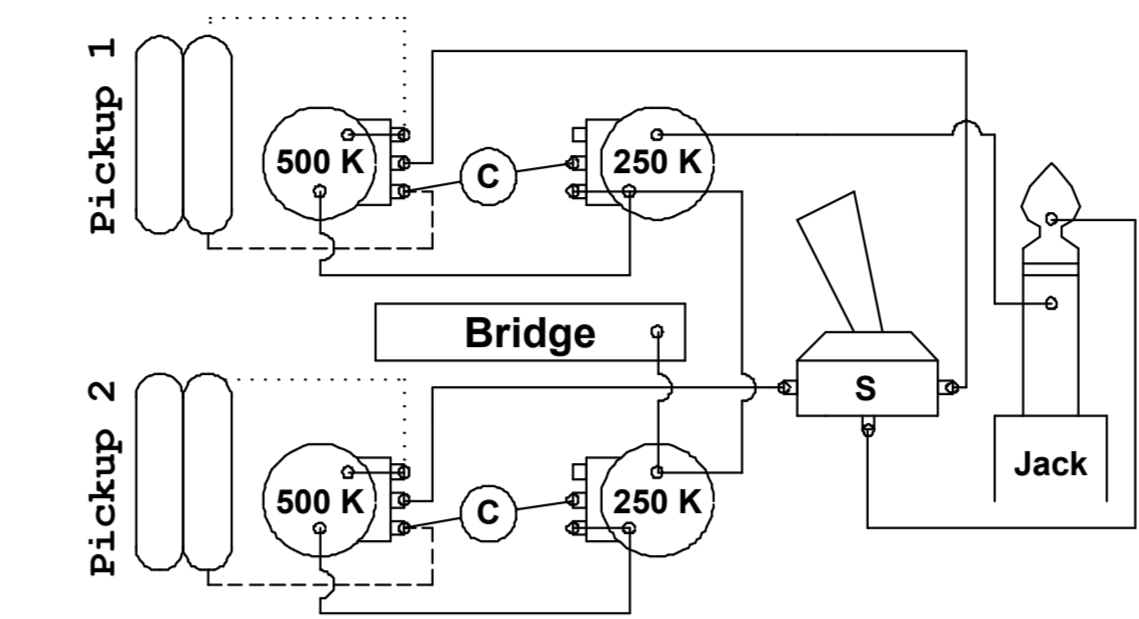
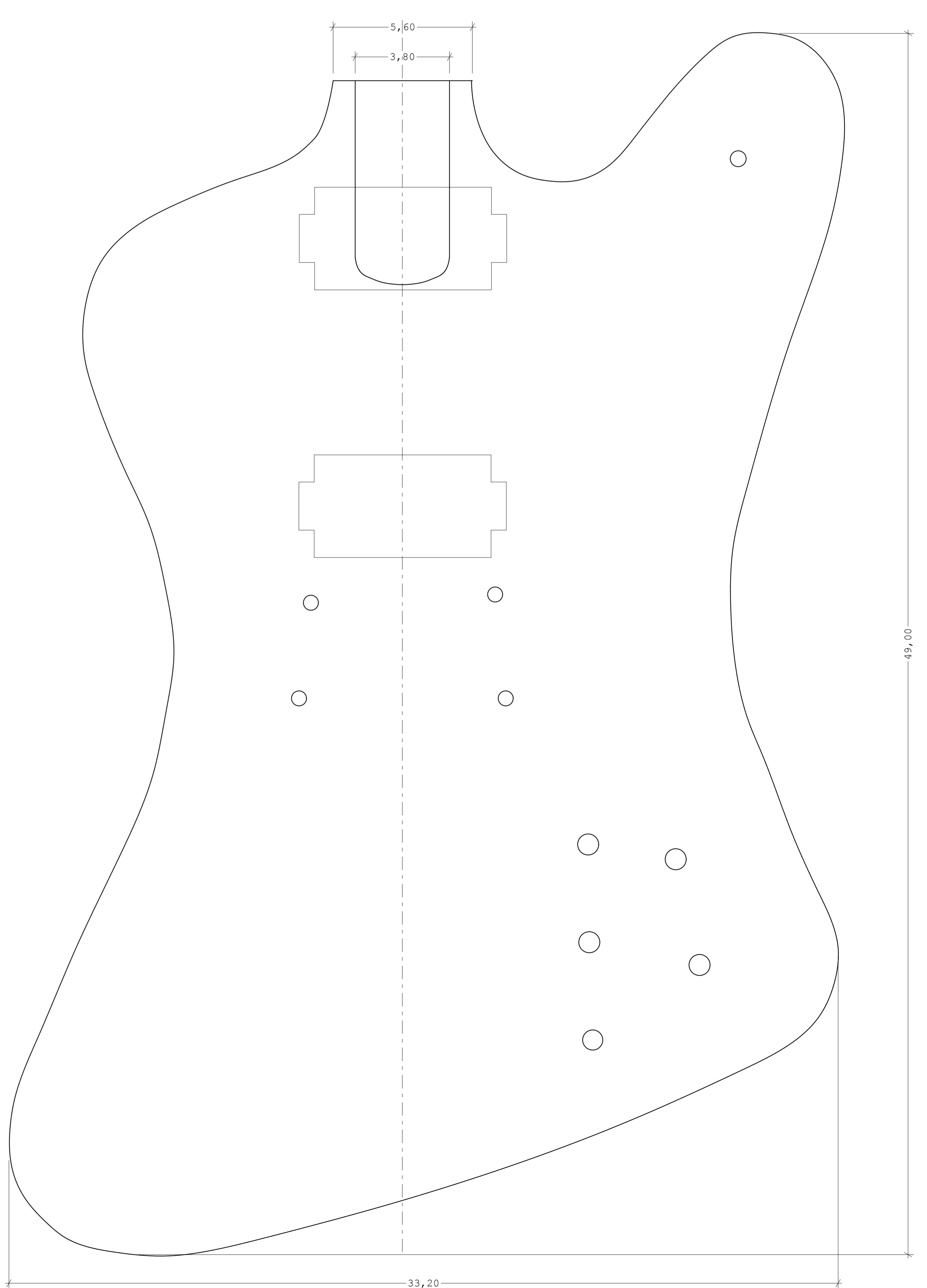
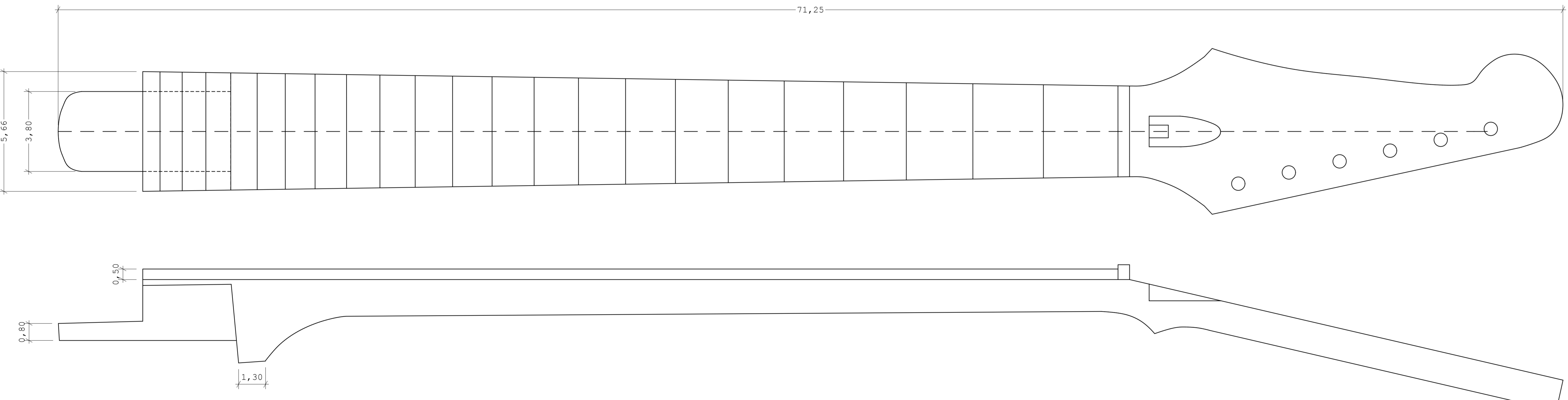
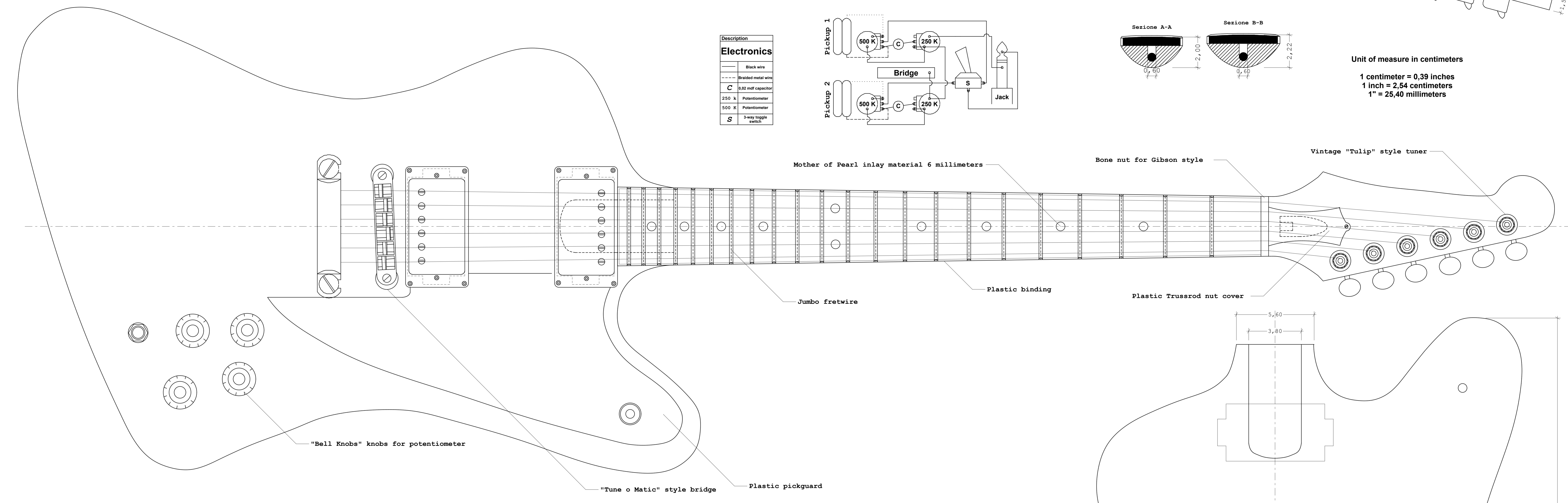


Description	
—	Black wire
---	Branded metal wire
C	0,02 mfd capacitor
250 k	Potentiometer
500 K	Potentiometer
S	3-way toggle switch



Unit of measure in centimeters
 1 centimeter = 0,39 inches
 1 inch = 2,54 centimeters
 1" = 25,40 millimeters



Gibson Firebird Studio style

Body
 Species: Mahogany

Neck
 Species: Mahogany
 Profile: '60s style slim taper
 Neck Joint Location: 19th fret

Fingerboard
 Species: Rosewood
 Scale length: 243/4 in.
 Total Length: 18,062 in.
 Nut Width: 1-11/16 in.
 Width at 12th fret: 2,062 in.
 Frets: 22
 Inlays: Pearlloid Dot

Hardware
 Plating Finish: Chrome or Gold
 Bridge: Tune-o-matic
 Tailpieces: Stopbar
 Tuners: Mini Grovers

Electronics
 Pickups: 490R & 498T Alnico magnet humbuckers
 Controls: 2 volume, 2 tone, 3-way switch

- Verify all the reference measures manually.
 - This plane was complemented with Archicad by Carmelo Giannetto.

Scale Length: 628,7 mm (millimeters)

Fret Number	mm From Nut	mm from Fret
1	35,3	35,3
2	68,6	33,4
3	100,1	31,5
4	129,7	29,7
5	157,7	28,1
6	184,2	26,5
7	209,1	25,0
8	232,7	23,6
9	254,9	22,3
10	275,9	21,0
11	295,7	19,9
12	314,4	18,7
13	332,0	17,7
14	348,7	16,7
15	364,4	15,8
16	379,2	14,9
17	393,2	14,1
18	406,4	13,3
19	418,9	12,5
20	430,7	11,8
21	441,8	11,2
22	452,3	10,5

