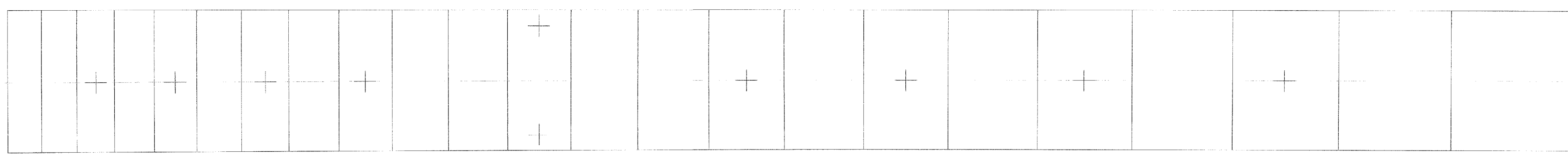
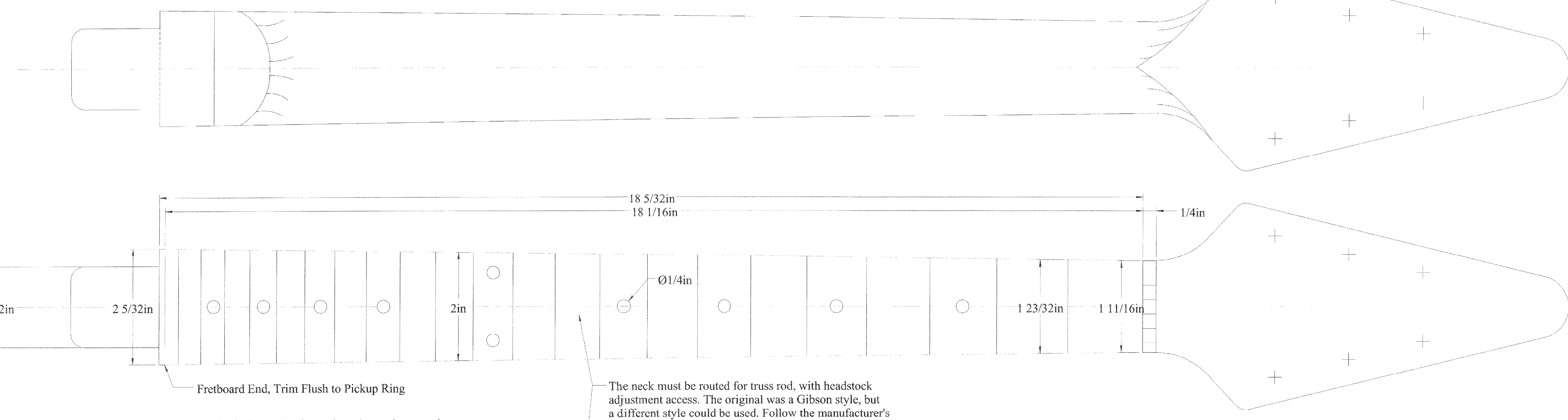


Fret	Distance from nut
1	1.389
2	2.700
3	3.937
4	5.105
5	6.207
6	7.247
7	8.229
8	9.156
9	10.031
10	10.857
11	11.636
12	12.375
13	13.066
14	13.720
15	14.339
16	14.923
17	15.474
18	15.994
19	16.485
20	16.948
21	17.385
22	17.797

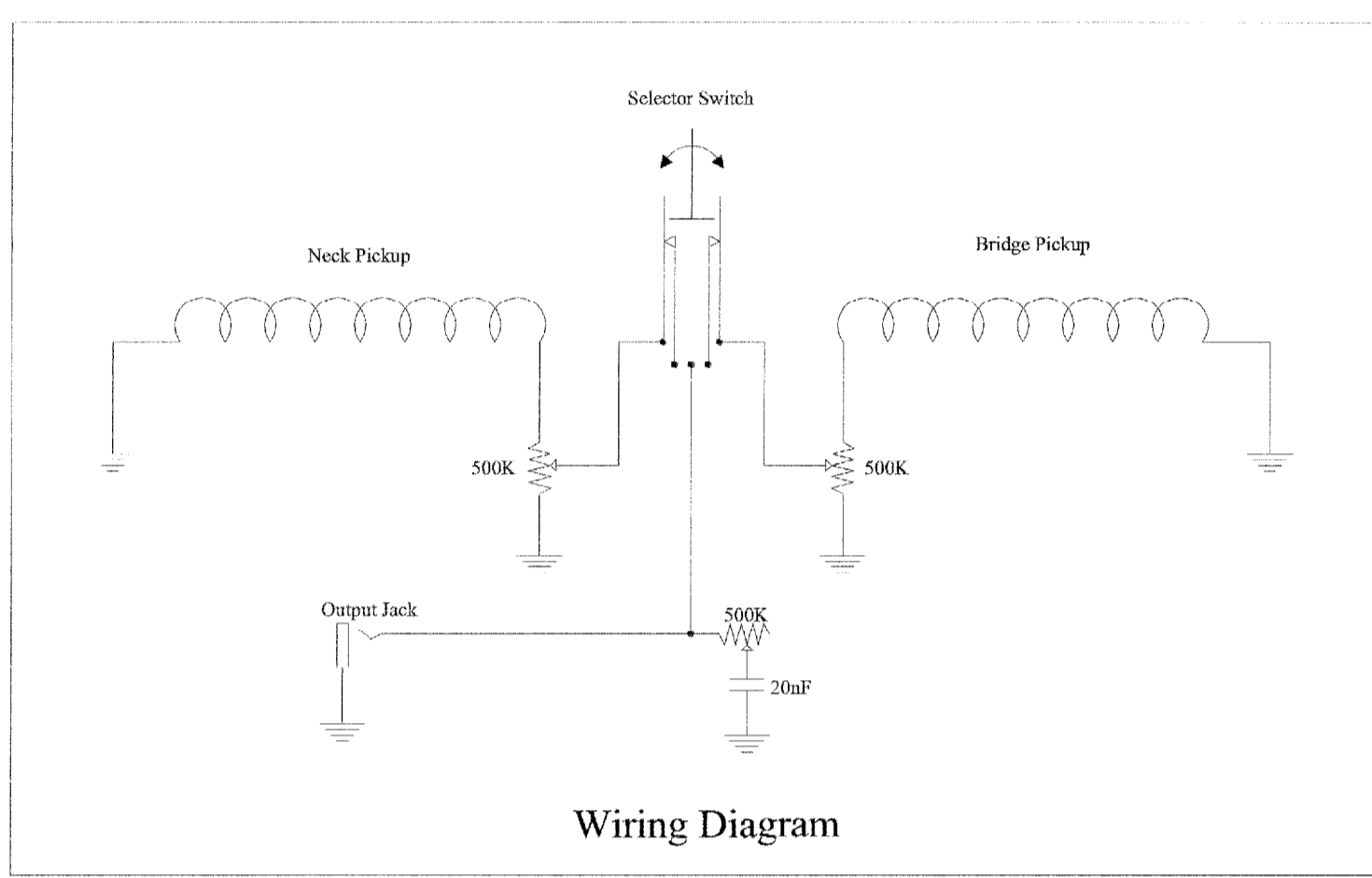
Note: The fretboard radius is 12".
The fretboard scale length is a TRUE 24 3/4", NOT Gibson's standard 24 9/16" + compensation = 24 3/4".
If you order a pre-slotted fretboard, be sure to order the correct scale length, or move the bridge mounting posts.



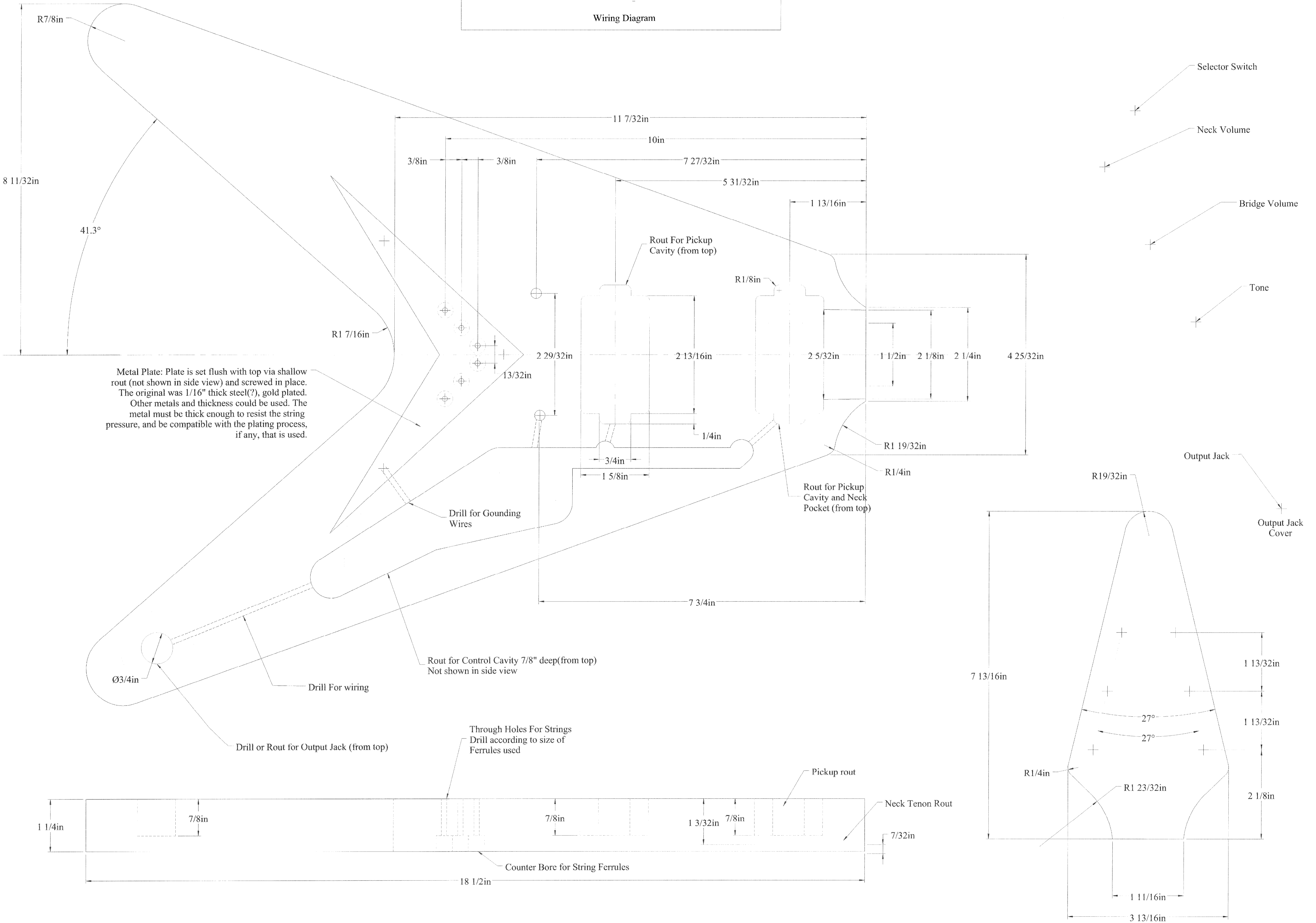
Fretting template



- Construction Note:
- 1: Temporarily fit the neck to the body without the fretboard installed.
 - 2: Route the pickup cavity, removing the indicated portion on the neck tenon.
 - 3: Temporarily install pickup and ring.
 - 4: Temporarily fit the fretboard and trim to fit against pickup mounting ring.



PickGuard. Trim to fit flush with pickup rings.



'83 Gibson Flying "V" Korina Reissue

Drawn By Ian Alexander From Measurements, Scans and Pictures Provided By Gary Richardi

Copyright Ian Alexander, December 7, 2001, all rights reserved. Musical Instruments Makers Forum use by permission