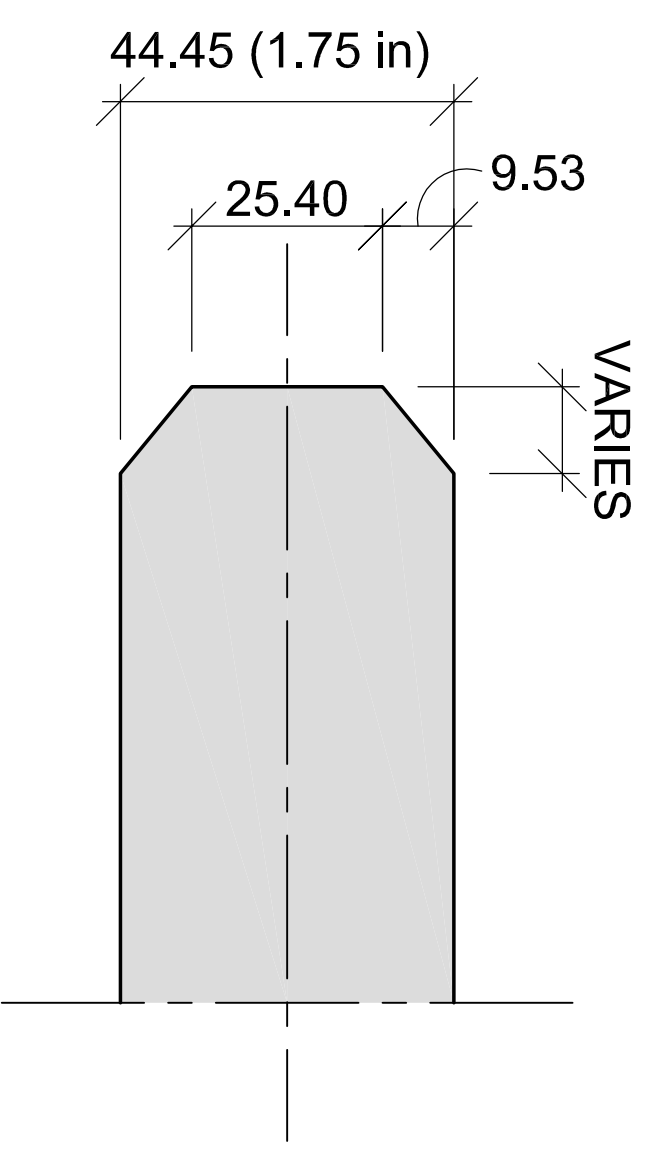
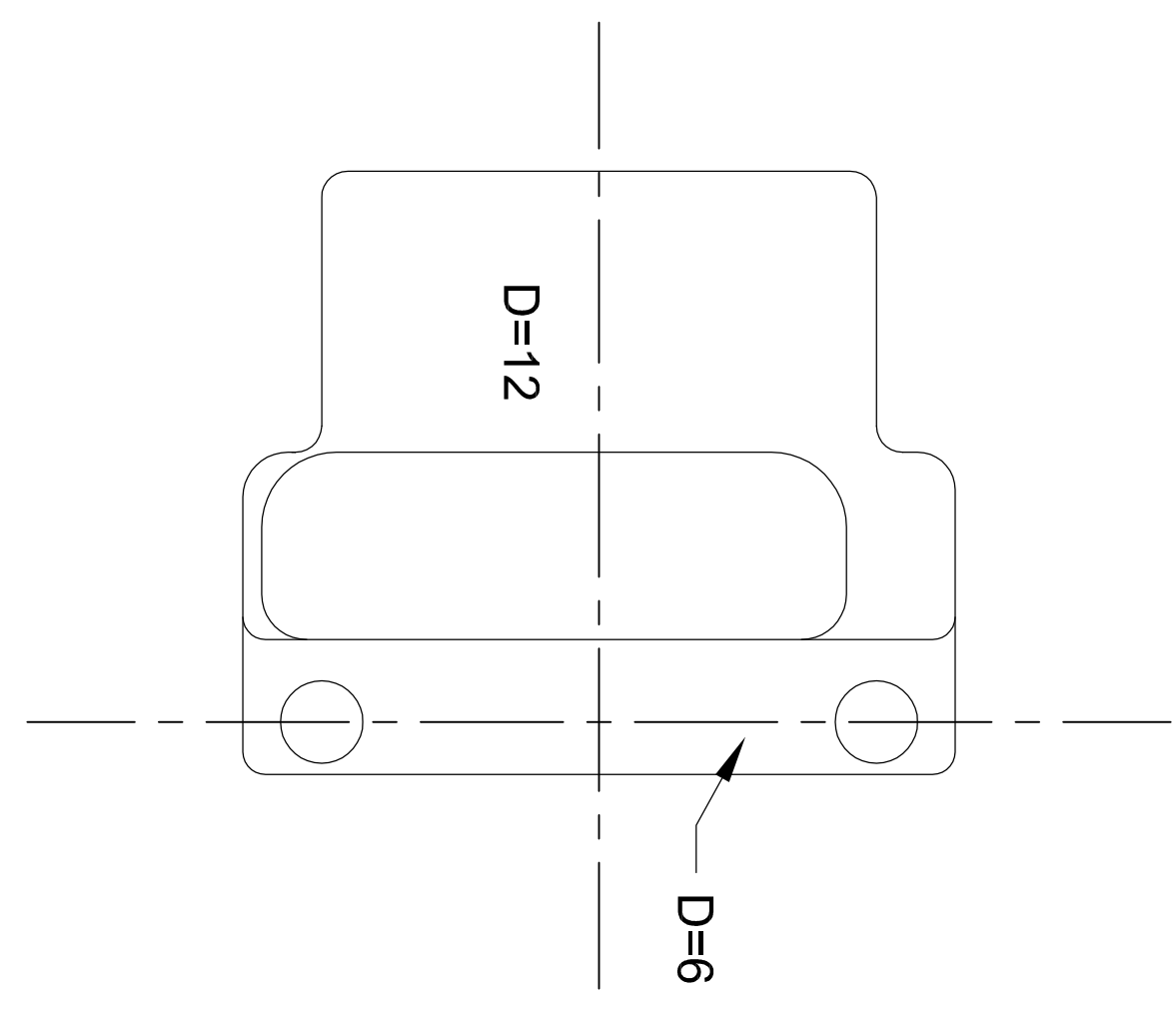


SIDE ELEVATION

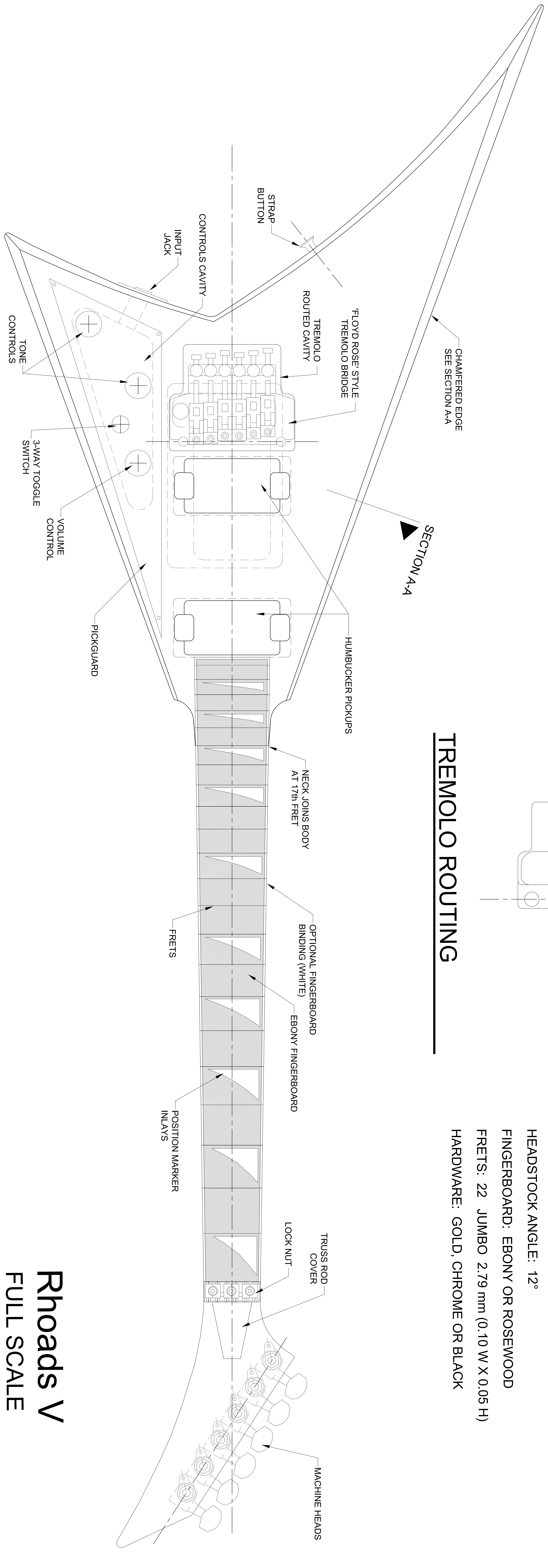


SECTION A-A



TREMOLO ROUTING

- ### SPECIFICATIONS
- SCALE LENGTH: 648 mm [25.5 in]
 - NUT WIDTH: 42.86 mm [1.6875 in]
 - BODY: ALDER OR MAHOGANY 44.5 mm [1.75 in]
 - NECK: MAPLE
 - HEADSTOCK ANGLE: 12°
 - FINGERBOARD: EBONY OR ROSEWOOD
 - FRETS: 22 JUMBO 2.79 mm (0.10 W X 0.05 H)
 - HARDWARE: GOLD, CHROME OR BLACK



FLOYD ROSE BRIDGE PLAN - FRONT

Rhoads V
FULL SCALE

SCALE DRAWING UP 25.4 FOR METRIC FULL SCALE (mm)
diablo-guitars.blogspot.com