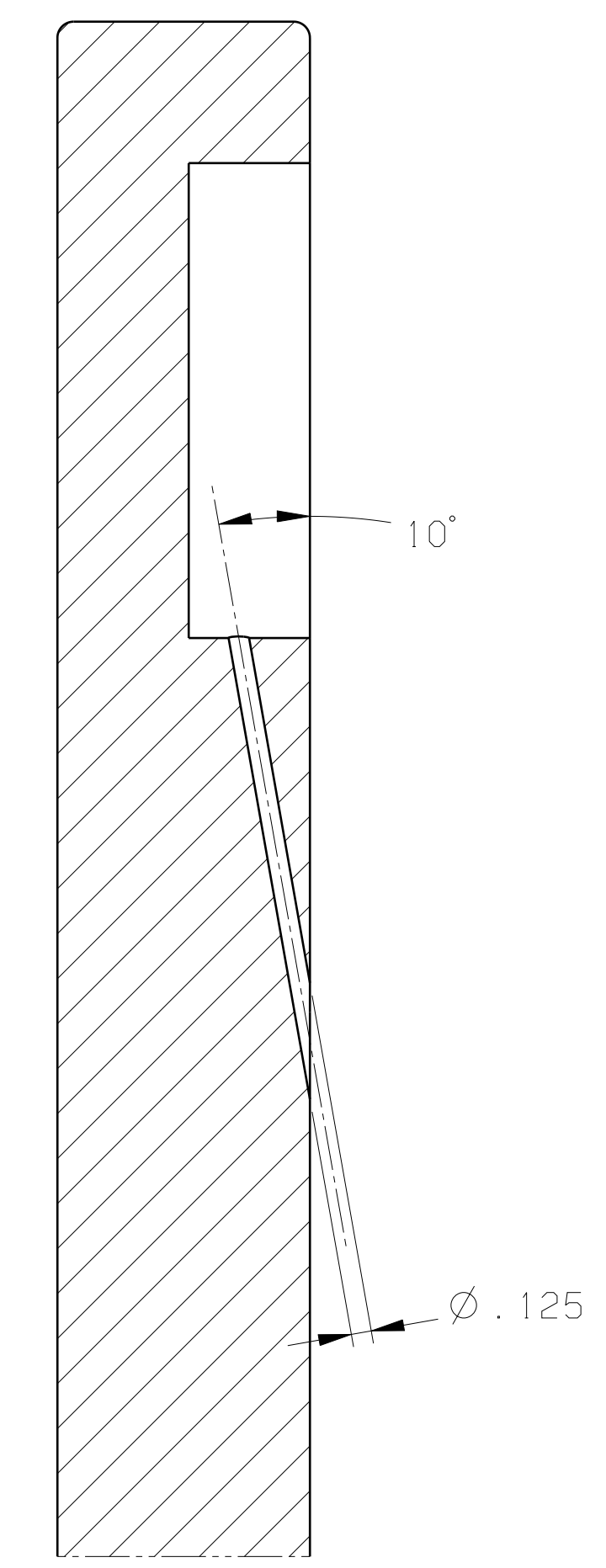
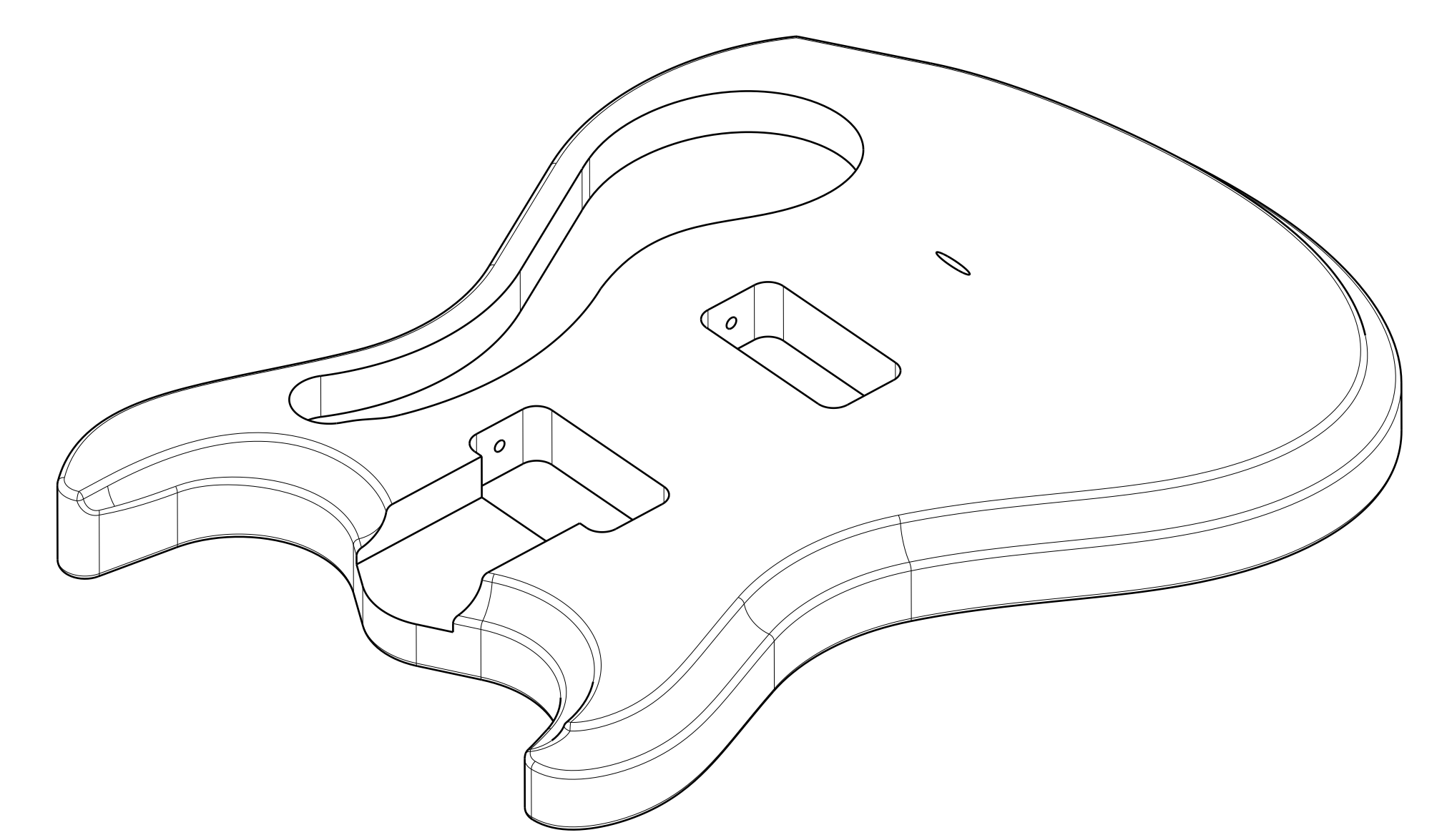


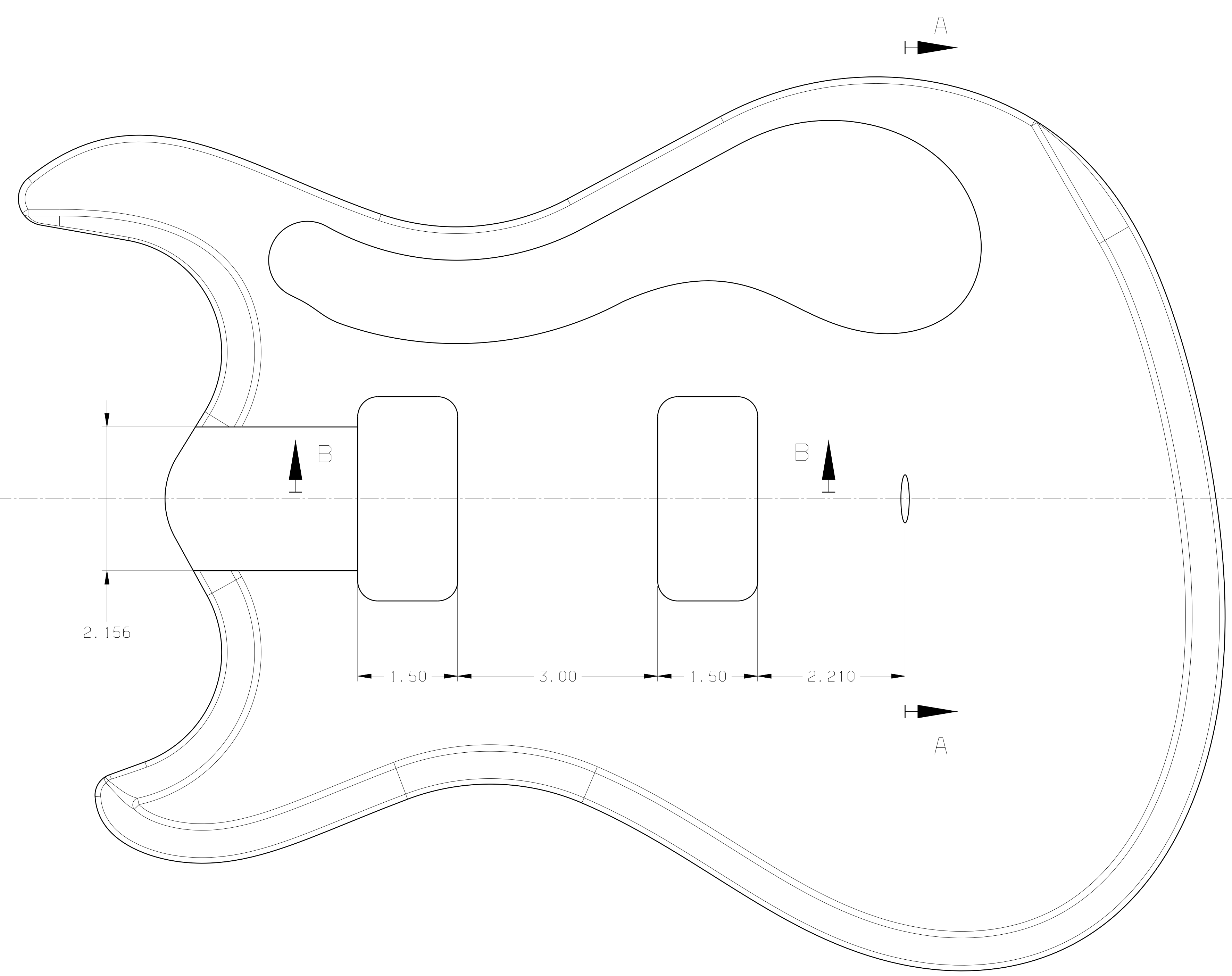
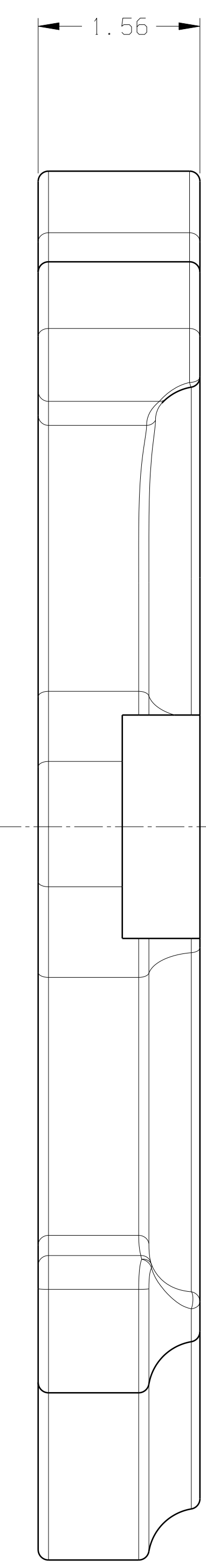
Section view B-B
Scale: 1:1



Section view A-A
Scale: 1:1



ISOMETRIC VIEW
SCALE: NONE
ENGINEERING REF



MOSRITE VENTURES II	
GUITAR BODY	
DATE: 11/11/11	BY: B XXX
SCALE: 1:1	SHEET: 1 OF 1